

# 17

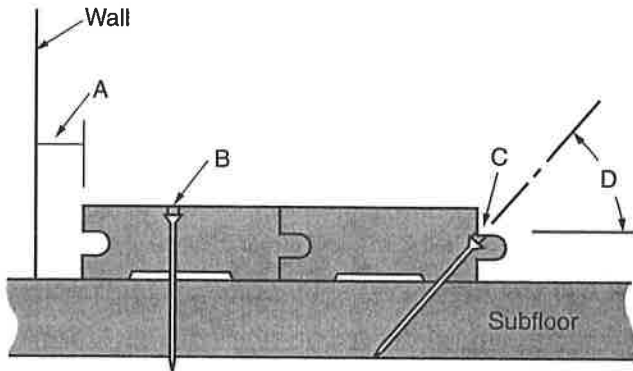
## Finish Flooring

Name \_\_\_\_\_ Date \_\_\_\_\_ Score \_\_\_\_\_

- \_\_\_\_\_ flooring is any type of material laid down as the final flooring surface. 1. \_\_\_\_\_
- Hardwood flooring is generally available in thicknesses of  $3/8''$ ,  $1/2''$ , and \_\_\_\_\_. 2. \_\_\_\_\_  
A.  $5/16''$   
B.  $7/16''$   
C.  $3/4''$   
D.  $25/32''$
- The best grade of plain-sawed oak flooring is designated by the term \_\_\_\_\_. 3. \_\_\_\_\_  
A. first  
B. clear  
C. select  
D. premium
- When installing standard wood strip flooring over concrete, use 4d casing nails and space them \_\_\_\_\_ apart. 4. \_\_\_\_\_  
A. 8"  
B. 10"  
C. 12"  
D. 16"
- In the illustration below, what type of tool is being used to install strip flooring? 5. \_\_\_\_\_



6. A hardwood flooring installation may start along a sidewall, as shown in the following illustration. The first strip is carefully aligned and then nailed. Identify the types of nailing used and provide the recommended spacing and angles.



6. A. \_\_\_\_\_  
 B. \_\_\_\_\_  
 C. \_\_\_\_\_  
 D. \_\_\_\_\_

7. When installing strip flooring, it is recommended that end joints be spaced a minimum of \_\_\_\_\_ apart in adjacent courses.  
 A. 6"  
 B. 8"  
 C. 12"  
 D. 16"

7. \_\_\_\_\_

8. To reverse the direction of laying in a section of the installation, a groove can be converted into a tongue by inserting a hardwood strip. This strip is commonly referred to as a(n) \_\_\_\_\_.

8. \_\_\_\_\_

9. Determine the amount of 3/4" x 3 1/4" strip flooring required for a 17' x 28' room. Refer to the table below. Provide the number of board feet and the number of full bundles required. Show your calculations in the space below.

9. Bd. ft.: \_\_\_\_\_

Bundles: \_\_\_\_\_

Flooring board size	Additional percentage
3/4" x 1 1/2"	55%
3/4" x 2"	43%
3/4" x 2 1/4"	38%
3/4" x 3 1/4"	29%
3/8" x 1 1/2"	38%
3/8" x 2"	30%
1/2" x 1 1/2"	38%
1/2" x 2"	30%

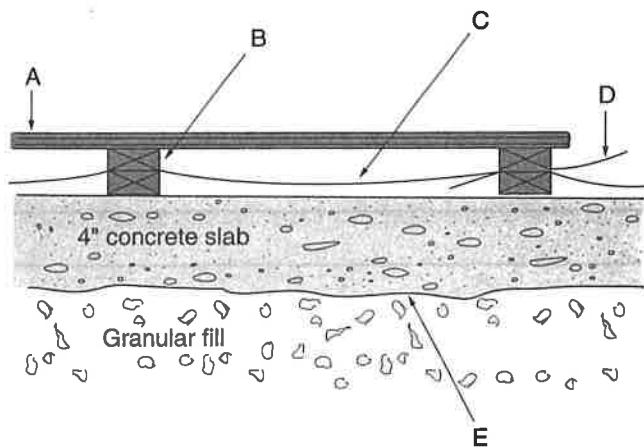
Name \_\_\_\_\_

10. Calculate the amount of  $3/8" \times 2"$  strip flooring needed for a living room ( $14' \times 24'$ ) and entrance hall ( $4' \times 10'$ ). Provide the total number of board feet required for the two areas and the total number of full bundles that should be ordered. Show your calculations in the space below.

10. Bd. ft.: \_\_\_\_\_  
Bundles: \_\_\_\_\_

11. Hardwood strip flooring ( $3/4"$ ) can be installed over a concrete slab. An approved system, where the concrete is in contact with the ground, is shown in the following drawing. The vapor barriers are polyethylene film. Identify these and other items as specified.

11. A. \_\_\_\_\_  
B. \_\_\_\_\_  
C. \_\_\_\_\_  
D. \_\_\_\_\_  
E. \_\_\_\_\_



12. The term *racking* means \_\_\_\_\_.  
A. stacking up strip flooring with stickers between layers so they will dry evenly.  
B. laying out several rows of strip flooring prior to toenailing them in place.  
C. placing weight on twisted flooring boards to straighten them.

12. \_\_\_\_\_

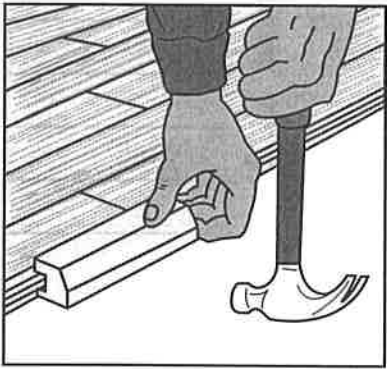
13. A variety of wood block flooring is available and generally installed with a mastic or adhesive. Most wood block floors are prefinished. Which of the following statements concerning prefinished wood floors is *incorrect*?
- A. The finish is superior to that which is normally applied on the job site.
  - B. Special care and accuracy must be maintained when making the installation.
  - C. Time is saved since prefinished units can be butted directly against baseboards.
  - D. Floors are ready for service immediately after the installation is completed.

13. \_\_\_\_\_

14. Laminated strip flooring is a composite material whose core consists of medium- or high-density \_\_\_\_\_ sandwiched between layers of melamine. The top layer carries a wood-grained pattern.

14. \_\_\_\_\_

15. Study the illustration of laminated strip flooring. What procedure is illustrated?



\_\_\_\_\_

\_\_\_\_\_

16. Conventional subflooring must be covered with an underlayment before the installation of resilient floor tile. Hardboard panels are often used for this purpose and should be conditioned to the space where they will be applied for at least \_\_\_\_\_ hours.
- A. 24
  - B. 36
  - C. 48
  - D. 60

16. \_\_\_\_\_

17. When plywood is used for underlayment, the grain of the panels should run at a right angle to the floor joists. Field spacing of nails for a 1/4" thickness should not be greater than \_\_\_\_\_. The nail spacing along edges of the panels should not be greater than \_\_\_\_\_.

17. \_\_\_\_\_

\_\_\_\_\_

Name \_\_\_\_\_

18. The underlayment surface for resilient materials such as vinyl, rubber, and linoleum must be smooth. Over a period of time, even the slightest irregularities will show on the surface of the tile. This transfer from the base surface to the finish surface is commonly referred to as \_\_\_\_\_. 18. \_\_\_\_\_
19. When stapling underlayment to the subfloor, nails or staples should be spaced  $3/8''$  from the edge of the panels. The panels should be carefully fitted together with a(n) \_\_\_\_\_ space at each joint. 19. \_\_\_\_\_
20. To check the right angles formed by the main centerlines of a room layout, you can use a framing square or set up a right triangle with a base of 4', an altitude of 3', and a hypotenuse of \_\_\_\_\_. 20. \_\_\_\_\_
- A. 2'  
B. 4'  
C. 5'  
D. 7'
21. Tile adhesive is spread evenly over the surface with a trowel or brush according to the manufacturer's recommendations. Generally, it is best to make the first spread over \_\_\_\_\_ of the total area. 21. \_\_\_\_\_
- A. one-eighth  
B. one-fourth  
C. one-half  
D. three-fourths
22. Self-adhering tiles can be installed over an existing floor. It is very important that the surface be smooth and free of \_\_\_\_\_, grease, and dirt. 22. \_\_\_\_\_
23. Flexible vinyl flooring is fastened down only along edges and seams. It is generally available in a width of \_\_\_\_\_. 23. \_\_\_\_\_
- A. 8'  
B. 9'  
C. 10'  
D. 12'

